

CONTINUOUS FLOW COUNTER-TOP FROZEN CUSTARD MACHINE

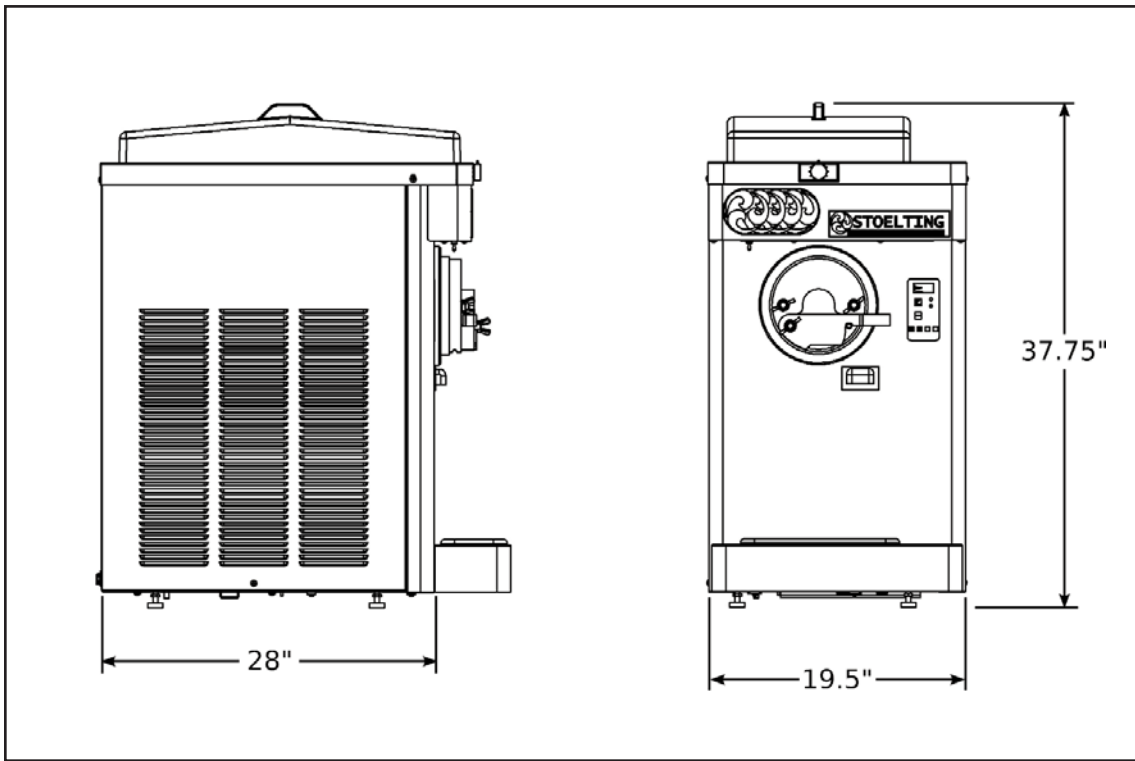
CF101



- Quick-Freeze Technology minimizes size of ice crystals to ensure smoother, creamier product.
- Hold cycle keeps barrels at a safe temperature during off-cycle.
- Compact, counter-top model saves space.
- Easy to clean design ensures sanitary operation and ensures product is always fresh.
- Refrigerated hopper with independent temperature control maintains safe storage temperatures in any environment.
- Dual temperature control dispenses varied product types, such as Italian ice, sorbet, and frozen custard.
- IntelliTec control with lighted display provides simple two button operation.
- Super-sized condensing system provides high output even in high temperature conditions.
- Optional floor stand to create a "floor model" package, freeing up counter space and providing additional storage.
- Delrin, food grade plastic blades provide quiet operation and superior durability.

**BEST
WARRANTY
IN THE
INDUSTRY**





	CF101	
Dimensions	Freezer	with crate
width	19-1/2" (49,5 cm)	38-3/4" (98,4 cm)
height	37-3/4" (95,9 cm)	28-3/4" (73,0 cm)
depth	28" (71,0 cm)	43" (109,2 cm)
Weight	310 lbs (140,5 kg)	380 lbs (172,4 kg)
Electrical connection type	1 Phase, 208-240 VAC, 60Hz NEMA6-20P power cord provided	
Compressor	14,000 Btu/hr	
Drive Motor	1-1/2 hp	
Air Flow	Air cooled units require 6" (15,2 cm) air space at left and right sides and 10" (25,4) air space above the freezer.	
Hopper Volume	5.4 gallon (30,28 liters)	
Freezing Cylinder Volume	0.8 gallon (3.2 quart), 3,03 liters	
Warranty	Two-year warranty on compressor, evaporator assembly, drive motor and auger. One-year warranty on remaining parts and labor.	

Continuous research leads to ongoing product improvements; therefore, these specifications are subject to change without notice.

Distributed by:



STOELTING®
FOODSERVICE EQUIPMENT
 502 Highway 67 • Kiel, WI 53042-1600
 920-894-2293 • 800-558-5807
 Fax: 920-894-7029
 E-mail: foodservice@stoelting.com
www.stoeltingfoodservice.com

ISO 9001:2000 Registered

Certified, Listed and/or Recognized by:

